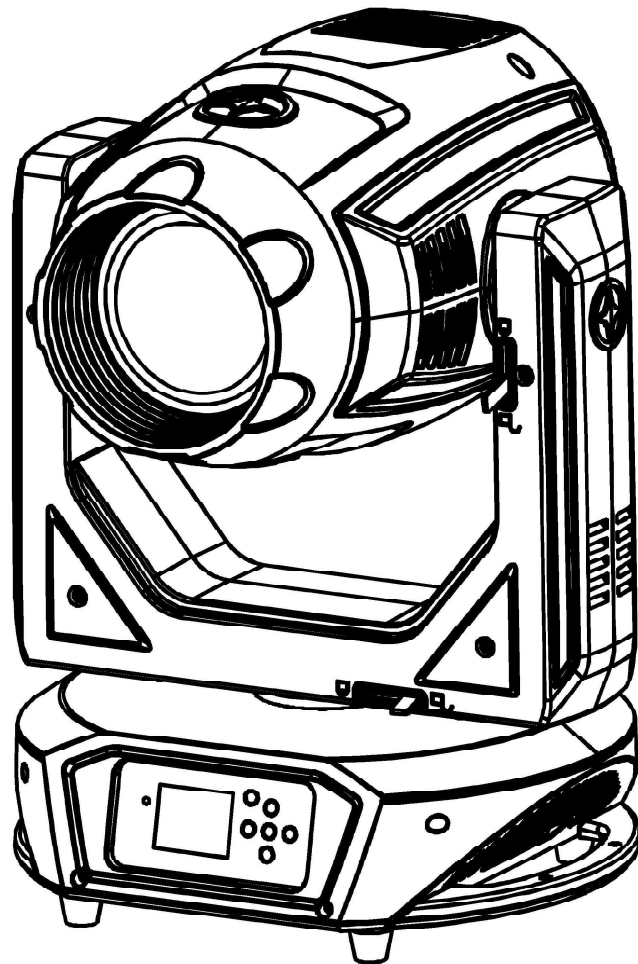


Showline

SL HYDRUS 350 Automated Luminaire



www.vari-lite.com

The material in this manual is for information purposes only and is subject to change without notice. Showline assumes no responsibility for any errors or omissions which may appear in this manual. For comments and suggestions regarding corrections and/or updates to this manual, please contact your nearest Showline office.

El contenido de este manual es solamente para información y está sujeto a cambios sin previo aviso. Showline no asume responsabilidad por errores o omisiones que puedan aparecer. Cualquier comentario, sugerencia o corrección con respecto a este manual, favor de dirijirlo a la oficina de Showline más cercana.

Der Inhalt dieses Handbuchs ist nur für Informationszwecke gedacht, Aenderungen sind vorbehalten. Showline uebernimmt keine Verantwortung für Fehler oder Irrtuemer, die in diesem Handbuch auftreten. Für Bemerkungen und Verbesserungsvorschlaege oder Vorschlaege in Bezug auf Korrekturen und/oder Aktualisierungen in diesem Handbuch, moechten wir Sie bitten, Kontakt mit der naechsten Showline-Niederlassung aufzunehmen.

Le matériel décrit dans ce manuel est pour information seulement et est sujet à changements sans préavis. La compagnie Showline n'assume aucune responsabilité sur toute erreur ou omission inscrite dans ce manuel. Pour tous commentaires ou suggestions concernant des corrections et/ou les mises à jour de ce manuel, veuillez s'il vous plait contacter le bureau de Showline le plus proche.

Note: Information contained in this document may not be duplicated in full or in part by any person without prior written approval of Vari-Lite. Its sole purpose is to provide the user with conceptual information on the equipment mentioned. The use of this document for all other purposes is specifically prohibited.

Document Number: **SL HYDRUS 350 Luminaire QuickStart Guide**

Version as of: 8 / 4 / 2016

SL HYDRUS 350 Luminaire QuickStart Guide

©2016 Vari-Lite. All rights reserved.

Special Product Information

In addition to the information contained in “Warnings and Notices” on page 3, please read the special product information below.



CAUTION: Risk Group 2. Possible hazardous optical radiation may be emitted from the products described herein. Do not stare directly into light sources. May be harmful to the eyes.



Note: The light source contained in this luminaire shall only be replaced by the manufacturer, authorized service center or similar qualified person.



CAUTION: Replace the lenses if they have become visibly damaged to such an extent that their effectiveness has become impaired, for example by cracks or deep scratches.



QuickStart Guide

Table of Contents

Showline Offices.....	1
Special Product Information	1
Table of Contents	
Introduction	
About Quickstart Guide	3
Included Items.....	3
Warnings and Notices	3
Service and Maintenance	3
Power Requirements	3
AC Power Operation.....	3
Connecting Power.....	4
AC and DMX Input / Output Connections	5
Connecting to the DMX Network.....	5
Mounting Luminaire	5
Floor Mounting.....	5
Menu System	
LCD Display Menu.....	6
LCD Display and Menu System Operation	6
Menu Settings	6
DMX CONTROL	
SL HYDRUS 350 Luminaire DMX Mapping	9
Lamp Replacement	
SL HYDRUS 350 Luminaire Lamp Replacement	12
Product Specifications	
Overview.....	13
Features	13
Color System.....	13
Gobos / Effects.....	13
Animation Wheel	13
Prisms.....	13
Beam Angles.....	13
Lamp Source	13
Power Consumption.....	13
Movement	13
AC Power Input	13
Luminaire Dimensions.....	14

Introduction

About Quickstart Guide

This Quickstart Guide is intended for a knowledgeable user to unpack, install, and use the SL HYDRUS 350 Luminaire in a short time period. For the complete manual in PDF format, please visit our web site at: www.philips.com/showline and click the user manual download link on the product page. The complete manual provides you all information related to accessories, menu structures, DMX channel mapping/modes, and care for your new luminaire.

Included Items

Each SL HYDRUS 350 Luminaire includes the following items:

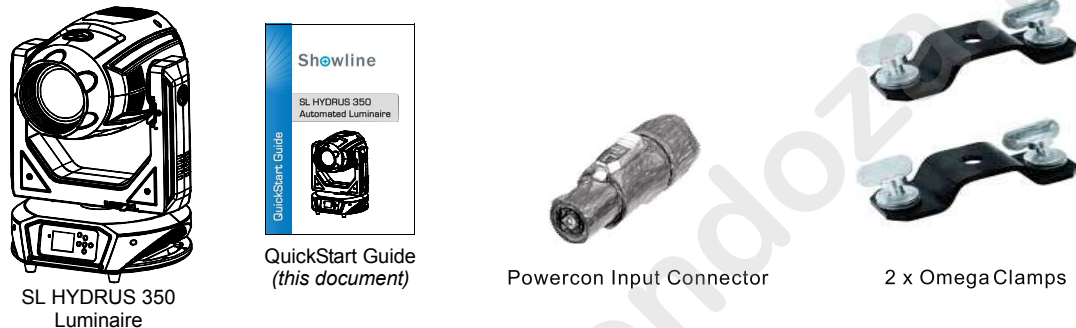


Figure 1: Included Items



Warnings and Notices

When using electrical equipment, basic safety precautions should always be followed including the following:

- **READ AND FOLLOW ALL SAFETY INSTRUCTIONS.**
- Do not use outdoors.
- Do not mount near gas or electric heaters.
- Equipment should be mounted in locations and at heights where it will not readily be subjected to tampering by unauthorized personnel.
- The use of accessory equipment not recommended by the manufacturer may cause an unsafe condition.
- Do not use this equipment for other than intended use.
- Refer service to qualified personnel.

SAVE THIS DOCUMENT FOR FUTURE REFERENCE! READ COMPLETELY BEFORE INSTALLING AND USING PRODUCT!



WARNING: You must have access to a main circuit breaker or other power disconnect device before installing any wiring. Be sure that power is disconnected by removing fuses or turning the main circuit breaker off before installation. Installing the device with power on may expose you to dangerous voltages and damage the device. A qualified electrician must perform this installation.

WARNING: Refer to National Electrical Code® and local codes for cable specifications. Failure to use proper cable can result in damage to equipment or danger to personnel.

WARNING: This equipment is intended for installation in accordance with the National Electric Code® and local regulations. It is also intended for installation in indoor applications only. Before any electrical work is performed, disconnect power at the circuit breaker or remove the fuse to avoid shock or damage to the control. It is recommended that a qualified electrician perform this installation.

Service and Maintenance

For all service and maintenance issues, please contact your local Showline office or an Authorized Service Center.

Power Requirements

The SL HYDRUS 350 Luminaire operates on AC input voltages from 100 to 240 VAC.



WARNING: This unit does not contain an ON/OFF switch. Always disconnect power input cable to completely remove power from unit when not in use.

AC Power Operation

When connected to an AC source, the unit operates on 100 to 240 volts AC (+/- 10%, auto-ranging). The luminaire contains an auto-ranging power supply. Each luminaire can draw up to 500 Watts.

QuickStart Guide



WARNING: Maximum amount of units that may be daisy-chained is (A) 2 units 100VAC or (B) 4 units 240VAC. Refer to [Table 1](#) for detailed information at various voltages.



Note: For wiring of AC input connector, refer to [Connecting a SL HYDRUS 350 Luminaire to AC Power](#).

Table 1: SL HYDRUS 350 Luminaire Voltage vs. Current

Voltage (AC)	Total Current (A)	Maximum of units that can be linked together*	Voltage (AC)	Total Current (A)	Maximum of units that can be linked together*
100	5.30	2	180	2.80	3
110	4.74	2	190	2.64	3
120	4.30	2	200	2.51	4
130	3.93	3	210	2.40	4
140	3.63	3	220	2.28	4
150	3.40	3	230	2.18	4
160	3.16	3	240	2.08	4
170	3.00	3			



WARNING: *These figures are based on the Maximum Allowable Input Current of each fixture (and the maximum power supply limit of 500 Watts). Do not overload circuits!



IMPORTANT AC POWER CONNECTION NOTES:

- When using the daisy-chain connection method, **ONLY** connect SL HYDRUS 350 Luminaire(s) to AC Output Connection of a SL HYDRUS 350 Luminaire. **DO NOT CONNECT OTHER TYPES OF LUMINAIRES OR DEVICES!**
- Use only use approved cable types.
- Do not overload circuits!
- Do not connect SL HYDRUS 350 Luminaires to dimmed circuits.
- The **MAXIMUM** allowable number of SL HYDRUS 350 Luminaires which can be 'daisy chained' on one 20A power feed are listed in [Table 1](#). **DO NOT EXCEED!**

Connecting Power

Units can be powered in one of two ways:

- Direct connection to a AC power source using an AC input cable. For wiring of AC input connector, refer to [Connecting a SL HYDRUS 350 Luminaire to AC Power](#).
- Connection from the AC output of another SL HYDRUS 350 Luminaire. When using this method, it is very important not to connect any other type of equipment.



WARNING: Only connect other SL HYDRUS 350 Luminaires to the AC Output (Thru) connector of a SL HYDRUS 350 Luminaire.

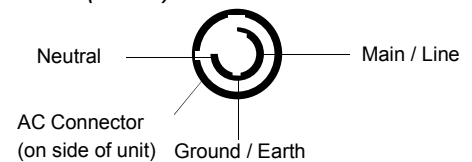
Connecting a SL HYDRUS 350 Luminaire to AC Power

[Table 2, AC Input Connections](#) describes how to connect power to your SL HYDRUS 350 Luminaire. Field wiring of the SL HYDRUS 350 Luminaire is straight forward. A total of 3 wires/conductors is supplied to the unit.

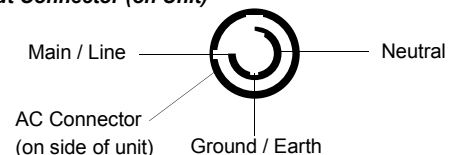
Table 2: AC Input Connections

AC Input Connections	
Wire Color	Purpose
Brown	Main / Line (100 to 240VAC)
Blue	Neutral
Green/Yellow	Ground (Earth)

AC Input Connector (on Unit)



AC Output Connector (on Unit)



AC and DMX Input / Output Connections

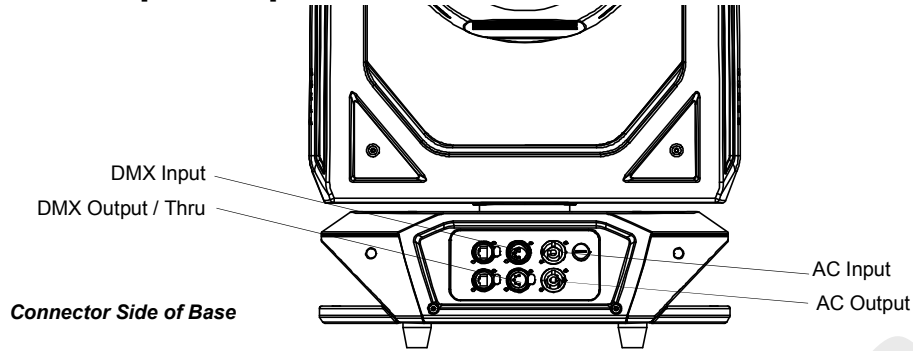


Figure 2: AC Input & Output Connections

Connecting to the DMX Network

Basic DMX512 installation consists of connecting multiple SL HYDRUS 350 Luminaires together (up to 32 luminaires) in "daisy-chain" fashion. A cable runs from the control console (or DMX512 control source) to the DMX connector on the first SL HYDRUS 350 Luminaire. Another cable runs from the other DMX connector on the first unit to a DMX connector on the next SL HYDRUS 350 Luminaire (or DMX512 device to be controlled).

Table 3: DMX512 Connections

DMX512 Signal	XLR Pin
Common (Drain)	1
DMX512 -	2
DMX512 +	3

Note: Remaining pins on each connector are not used.

Mounting Luminaire

The SL HYDRUS 350 Luminaire is provided with the ability to hang via truss hooks, clamps, etc. (sold separately). Install Omega Clamps and attach hook, clamp, etc. to the Omega Clamps in the provided mounting holes. It is recommended (and may be required by local and national safety codes) to use and install a safety cable (included with unit) in the safety cable anchor point. When hanging the fixture, be sure to leave enough space around the luminaire to allow for free movement and uninterrupted airflow for cooling.

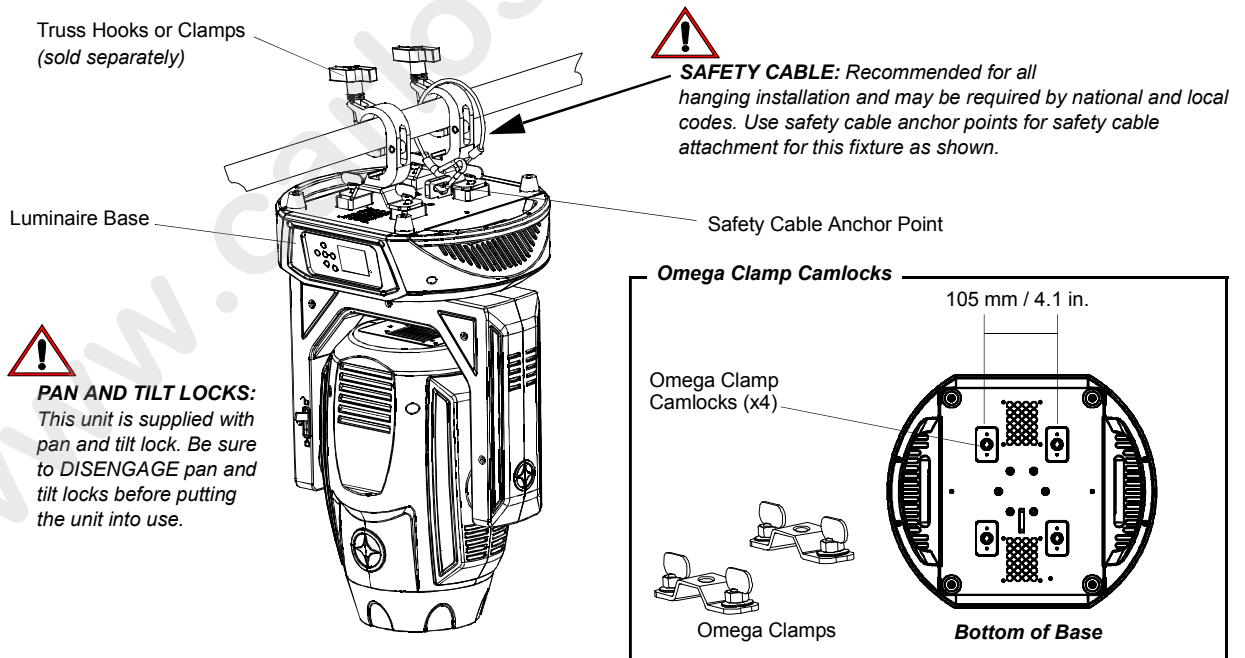


Figure 3: Mounting Luminaire

Floor Mounting

The SL HYDRUS 350 Luminaire is designed to sit directly on its base (Omega Clamps must be removed) in a floor installation application. When used in this type of application, be sure to leave enough space around the luminaire to allow proper, uninterrupted airflow for cooling and movement.

QuickStart Guide

Menu System

LCD Display Menu

The SL HYDRUS 350 Luminaire's LCD Display and Menu System provides local control for accessing the fixture's settings:

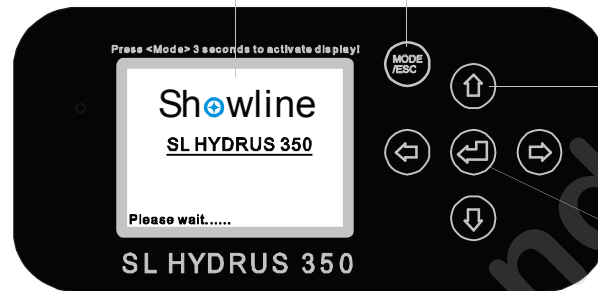


Note: If there are multiple luminaires in a system, changes would need to be made at each LCD Menu as desired.

Upon power up, the LCD will display the main screen showing the product name. If DMX is enabled, the programmed address will appear after power up.

LCD Display - Shows menu settings, error codes, address, etc.

MODE/ESC (Escape) Button - Used to access modes and settings menus.



Arrow Buttons - UP | DOWN | LEFT | RIGHT - Used to navigate through menu settings and options.

Enter Button - Used to enter a menu option or accept a menu setting change.

Figure 4: LCD Display and Menu System

LCD Display and Menu System Operation

The LCD Display Menu system consists of several categories. Use the Menu Buttons to access and make changes to the menu items. When the desired menu item is reached, press the desired Menu Button to display the menu options and to navigate and configure the menu options as required.

To navigate and access menu settings/selections:

- Step 1. Make sure unit is powered and turned on.
- Step 2. Press the MODE/ESC button (as shown in Figure 4) for three seconds to activate menu to access menu categories.
- Step 3. Use UP | DOWN | LEFT | RIGHT arrow buttons to navigate through the various options and settings.
- Step 4. Make changes as desired.
- Step 5. Press ENTER button to accept changes or MENU/ESC not to accept changes.

Menu Settings

The following menu settings and options are available in the SL HYDRUS 350 Luminaire menu system.

Table 4: Menu Settings

First Level	Second Level	Third Level	Description
Function	Ste DMX Address	001 to XXX	Sets the DMX Address. 001 is default value.
	DMX Value	ALL: or Control:	Displays DMX values for various parameters. ALL: is default.
	Auto Program		Simple ten step Factory pre-programmed colour and movement chase.
Information	Time Information	Current Time XXXX (hours)	Running time since unit was powered on.
		Total Run Time XXXX Hours	Total hours fixture has run.
		Last Run Time XXXX Hours	Fixture running time since last clear of hours.
		Lamp Hours XXXX Hours	Number of hours lamp has run.
		Last Run Password XXX	Entered to clear fixture timer. Password is "038"
		Clear Last Run ON or OFF	Clears fixture last run time. Default is OFF.
		Lamp Time Password XXX	Entered to lamp timer. Password is "038"
	Clear Lamp Time ON or OFF	Clears lamp run time. Default is OFF.	
	Temperature Info	Head Temperature XXX°C/°F	Displays current temperature of the luminaire head.
	Ethernet IP	Ethernet IP xxx.xxx.xxx.xxx	Displays luminaire's IP address.
Fan Info	Fan Info - 2U01_Fan1: XXXRPM - 2U01_Fan1: XXXRPM .	Displays fans RPM / status	
Software Version	1U01: VX.XX	Displays software installed in luminaire.	

Table 4: Menu Settings

First Level	Second Level	Third Level	Description	
Lamp Control	Lamp ON/OFF	ON or OFF	Turns lamp ON or OFF. OFF is default.	
	Automatic On	ON or OFF	When unit is first powered on, this setting determines if the lamp is automatically struck. Default setting is OFF.	
	Lamp On via DMX	ON or OFF	When this unit is connected to and sees a DMX signal, the lamp will strike. Default is ON.	
	Lamp Off via DMX	ON or OFF	When this unit is no longer connected to or sees a DMX signal, the lamp will douse. Default is ON.	
	Max. On Temp	20~79 Deg C (default is 45 deg C) 68~174 Deg F (default is 113 deg F)		Value which the lamp is capable of being struck. If the temperature of the head is above the set value, the lamp will not strike.
	Lamp Off Temp	80~139 Deg C (default is 130 deg C) 176~282 Deg F (default is 266 deg F)		Value which the lamp will douse once it detects the set temperature.
Personality	Status Settings	Address Via DMX ON or OFF	Allows RDM setting of start address. Default is ON.	
		No DMX Status CLOSE / HOLD / AUTO	Defines fixture behaviour on loss of DMX signal. Default is Close.	
		Pan Reverse ON or OFF	Setting to reverse the pan movement. Default is OFF.	
		Tilt Reverse ON or OFF	Setting to reverse the tilt movement. Default is OFF.	
		Pan Degree 630 or 540	This setting sets the amount of pan travel 630 or 540 degrees. Default is 540 degrees.	
		Feedback ON or OFF	Pan & Tilt motor position feedback. Default is ON.	
	Service Setting	Hibernation OFF / 1 to 99 Minutes		Sets standby mode. Default is 15 minutes.
		Password XXX		Password for RDM PID editing. Password is "050"
	Display Setting	RDM PID XXXXXX		Displays RDM PID Code.
		Shutoff Time 2 to 60 minutes		Sets the amount of time the LCD display will stay on after last button press. Default is 5 minutes.
		Display Reverse AUTO / ON / OFF		This menu option flips the LCD Display 180 degrees. Default is AUTO (automatic flips according to luminaire orientation).
	Temperature C/F	Key Lock ON or OFF		This option can be set to prevent unauthorized changes (locks display). Default is OFF.
		Initial Status	Celsius or Fahrenheit	Displays temperature values in the set scale. Default is Celsius.
		Select Signal	Control XXX	Selection and manual adjustment of fixture parameters for initial powerup preset.
		Set Universe	DMX Only / Art-Net On IP2 / Art-Net On IP10	Selects the control system the luminaire will operate. Default is DMX Only.
Reset Default		000 to 255	Sets the Art-Net Universe.	
		ON or OFF	Restores the fixture to factory defaults. Default is OFF.	
Reset Function	Reset All		Resets (re-calibrates) all motors in the luminaire.	
	Reset Pan & Tilt		Resets (re-calibrates) Pan and Tilt.	
	Reset Colors		Resets (re-calibrates) color wheels.	
	Reset Gobos		Resets (re-calibrates) gobos.	
	Reset Shutter		Resets (re-calibrates) shutter / dimmer.	
	Reset Others		Resets (re-calibrates) Zoom, Prism, and Animation Motors.	
Effect Adjust	Test Channel	Control XXX	Manual selection of fixture parameters for ramping up and down.	
	Manual Control	Control XXX	Select and adjust fixture parameters for local control.	
	Calibration	Calibrate Password	Password is "050"	
		Pan XXX	Sets centre points for parameter ranges.	

DMX CONTROL

This section contains information for operating the luminaire using DMX control.

Note: This table assumes a DMX start address of 1. When a different starting address is used, this address becomes channel 1 function and other functions follow in sequence.

SL HYDRUS 350 Luminaire DMX Mapping

Table 5 provides DMX channel mapping of all DMX512 control values for the SL HYDRUS 350 Luminaire.

Table 5: SL HYDRUS 350 Luminaire DMX Channel Mapping

DMX Channel	Parameter	Range DMX	Range%	Default - recommended console default values	Description
1 2	Pan_High Byte Pan_Low Byte	0 - 65535	0 - 100%	32768	16-bit control of pan
3 4	Tilt_High Byte Tilt_Low Byte	0 - 65535	0 - 100%	32768	16-bit control of Tilt
5 6	Master Intensity High Master Intensity Low	0 - 65535	0 - 100%	0	16-bit control of Intensity
7	Shutter / Strobe	0 - 255	0 - 100%	47	Shutter Closed = 0 - 31 No Function (Shutter Open) = 32 - 63 Strobe effect slow to fast = 64 - 95 No function (shutter open) = 96 - 127 Pulse-effect in Sequences = 128 - 159 No Function (Shutter Open) = 160 - 191 Random Strobe Effect Slow to Fast = 192 - 223 No Function (Shutter Open) = 224 - 255
8	Color Wheel	0 - 255	0 - 100%	0	Open = 0 - 5 Color 1 = 6 - 10 Color 2 = 11 - 15 Color 3 = 16 - 20 Color 4 = 21 - 25 Color 5 = 26 - 30 Color 6 = 31 - 35 Color 7 = 36 - 40 Color 8 = 41 - 45 Color 9 = 46 - 50 Color 10 = 51 - 55 Open = 56 - 60 Open + Color 1 Split = 61 - 65 Color 1 + Color 2 Split = 66 - 70 Color 2 + Color 3 Split = 71 - 75 Color 3 + Color 4 Split = 76 - 80 Color 4 + Color 5 Split = 81 - 85 Color 5 + Color 6 Split = 86 - 90 Color 6 + Color 7 Split = 91 - 95 Color 7 + Color 8 Split = 96 - 100 Color 8 + Color 9 Split = 101 - 105 Color 9 + Color 10 Split = 106 - 110 Color 10 + Open Split = 111 - 115 Open = 116 - 120 Scroll Clockwise Slow to Fast = 121 - 180 Open = 181 - 185 Scroll Counter Clockwise Slow to Fast = 186 - 245 Open = 246 - 255
9	Zoom	0 - 255	0 - 100%	0	Zoom control from narrow to wide. Beam angle depends on mode selected.
10	Zoom Fine	0 - 255	0 - 100%	0	Zoom fine control adjustment.
11	Focus	0 - 255	0 - 100%	0	Focus control.
12	Focus Fine	0 - 255	0 - 100%	0	Focus fine control adjustment.

QuickStart Guide

Table 5: SL HYDRUS 350 Luminaire DMX Channel Mapping

13	Fixed Gobos	0 - 255	0 - 100%	0	<p>Open = 0 - 21 Gobo 1 = 22 - 28 Gobo 2 = 29 - 35 Gobo 3 = 36 - 42 Gobo 4 = 43 - 49 Gobo 5 = 50 - 56 Gobo 6 = 57 - 63 Gobo 7 = 64 - 70 Gobo 8 = 71 - 77 Gobo 9 = 78 - 84 Gobo 10 = 85 - 91 Gobo 11 = 92 - 98 Gobo 12 = 99 - 105 Gobo 1 Shake Slow to Fast = 106 - 112 Gobo 2 Shake Slow to Fast = 113 - 119 Gobo 3 Shake Slow to Fast = 120 - 126 Gobo 4 Shake Slow to Fast = 127 - 133 Gobo 5 Shake Slow to Fast = 134 - 140 Gobo 6 Shake Slow to Fast = 141 - 147 Gobo 7 Shake Slow to Fast = 148 - 154 Gobo 8 Shake Slow to Fast = 155 - 161 Gobo 9 Shake Slow to Fast = 162 - 168 Gobo 10 Shake Slow to Fast = 169 - 175 Gobo 11 Shake Slow to Fast = 176 - 182 Gobo 12 Shake Slow to Fast = 183 - 189 Gobo Wheel Spin Forward Slow to Fast = 190 - 221 No Gobo Wheel Rotation = 222 - 223 Gobo Wheel Spin Backward Slow to Fast = 224 - 255</p>
14	Rotating Gobo Wheel	0 - 255	0 - 100%	0	<p>Beam = 0 - 14</p> <p>Open (no gobo) = 15 - 21 Gobo 1 Index = 22 - 28 Gobo 2 Index = 29 - 35 Gobo 3 Index = 36 - 42 Gobo 4 Index = 43 - 49 Gobo 5 Index = 50 - 56 Gobo 6 Index = 57 - 63 Gobo 7 Index = 64 - 70 Gobo 8 Index = 71-77</p> <p>Gobo 1 Rotate = 78 - 84 Gobo 2 Rotate = 85 - 91 Gobo 3 Rotate = 92 - 98 Gobo 4 Rotate = 99 - 105 Gobo 5 Rotate = 106 - 112 Gobo 6 Rotate = 113 - 119 Gobo 7 Rotate = 120 - 126 Gobo 8 Rotate = 127 - 133</p> <p>Gobo 1 Shake = 134 - 140 Gobo 2 Shake = 141 - 147 Gobo 3 Shake = 148 - 154 Gobo 4 Shake = 155 - 161 Gobo 5 Shake = 162 - 168 Gobo 6 Shake = 169 - 175 Gobo 7 Shake = 176 - 182 Gobo 8 Shake = 183 - 189</p> <p>Gobo Wheel Spin Forward Slow to Fast = 190 - 221 No Gobo Wheel Spin = 222 - 223 Gobo Wheel Spin Backwards Slow to Fast = 224 - 255</p>
15	Rotating Gobo Wheel - Gobo Rotation	0 - 255	0 - 100%	127	<p>Backward Gobo Rotation Fast to Slow = 0 - 126 No Rotation = 127 - 128 Forward Gobo Rotation Fast to Slow = 129 - 255</p>
16	Rotating Gobo Fine Indexing	0 - 255	0 - 100%	0	Fine Indexing Adjustment
17	Animation	0 - 255	0 - 100%	0	<p>Close = 0 - 50 Animation Speed Slow to Fast = 51 - 255</p>

Table 5: SL HYDRUS 350 Luminaire DMX Channel Mapping

18	Prism	0 - 255	0 - 100%	0	<p>Open (out of beam) = 0 - 23 Line Prism Index = 24 - 49 8 Facet Prism Index = 50 - 75</p> <p>Line Prism Rotate = 76 - 101 8 Facet Prism Rotate = 102 - 127</p> <p>Prism Macro 1 = 128 - 135 Prism Macro 2 = 136 - 143 Prism Macro 3 = 144 - 151 Prism Macro 4 = 152 - 159 Prism Macro 5 = 160 - 167 Prism Macro 6 = 168 - 175 Prism Macro 7 = 176 - 183 Prism Macro 8 = 184 - 191 Prism Macro 9 = 192 - 199 Prism Macro 10 = 200 - 207 Prism Macro 11 = 208 - 215 Prism Macro 12 = 216 - 223 Prism Macro 13 = 224 - 231 Prism Macro 14 = 232 - 239 Prism Macro 15 = 240 - 247 Prism Macro 16 = 248 - 255</p>
19	Prism Rotation Direction	0 - 255	0 - 100%	127	<p>Backward Prism Rotation Fast to Slow = 0 - 126 No Rotation = 127 - 128 Forward Prism Rotation Fast to Slow = 129 - 255</p>
20	Prism Rotation Fine Indexing	0 - 255	0 - 100%	0	Fine Indexing Adjustment
21	Frost	0 - 255	0 - 100%	0	<p>Open (Frost Out of Beam) = 0 - 100 Frost In Beam = 101 - 200 <i>Reserved for Future Use = 201 - 255</i></p>
22	Pan & Tilt Speed	0 - 255	0 - 100%	0	<p>Minimum to Maximum Speed = 0 - 255 Blackout by Movement = 226 - 235 Blackout by All Wheel Changing = 236 - 245 <i>Reserved for Future Use = 246 - 255</i></p>
23	Auto Focus	0 - 255	0 - 100%	0	<p>Auto Focus Off = 0 - 50 Auto Focus On = 51-150 15m throw distance Auto Focus On = 51-150 25m throw distance</p>
24	Auto Focus Fine Adjustment	0 - 255	0 - 100%	0	Continuous Fine Adjustment
25	Control	0 - 255	0 - 100%	0	<p>Idle = 0 - 39</p> <p>Lamp On = 40 - 59 Lamp Douse = 60 - 79</p> <p>All Motors Recal = 80 - 84 Scan Motor Recal = 84 - 87 Color Motors Recal = 88 - 90 Gobo Motor Recal = 91 - 93 Shutter Motor Recal = 94 - 96 Zoom, Prism, and Animation Motor Recal = 97 - 99</p> <p>Internal Program 1 = 100 - 119 Internal Program 2 = 120 - 139 Internal Program 3 = 140 - 159 Internal Program 4 = 160 - 179 Internal Program 5 = 180 - 199 Internal Program 6 = 200 - 219 Internal Program 7 = 220 - 239</p> <p><i>Reserved for Future Use = 240 - 255</i></p>

QuickStart Guide

Lamp Replacement

SL HYDRUS 350 Luminaire Lamp Replacement



WARNING: Before performing the procedure described herein, you must disconnect the luminaire from its power source. Dousing the lamp does not disconnect power. Failure to remove the power completely before replacing the lamp may result in serious injury or death! This procedure should only be done by a trained and qualified technician.



WARNING: You must replace lamp with exact same type and rating. Using any other lamp not specified for this luminaire will result in damage to the luminaire and will void the luminaire warranty.

To replace the lamp:

- Step 1. Completely remove power from luminaire. Allow luminaire to cool completely before proceeding with lamp replacement.
- Step 2. Place unit on its base on a flat and steady work surface.
- Step 3. At rear of luminaire head, as illustrated in [Figure 5](#):
- Remove screws securing lamp cover.
 - Remove lamp cover.
 - Remove lamp from luminaire head.

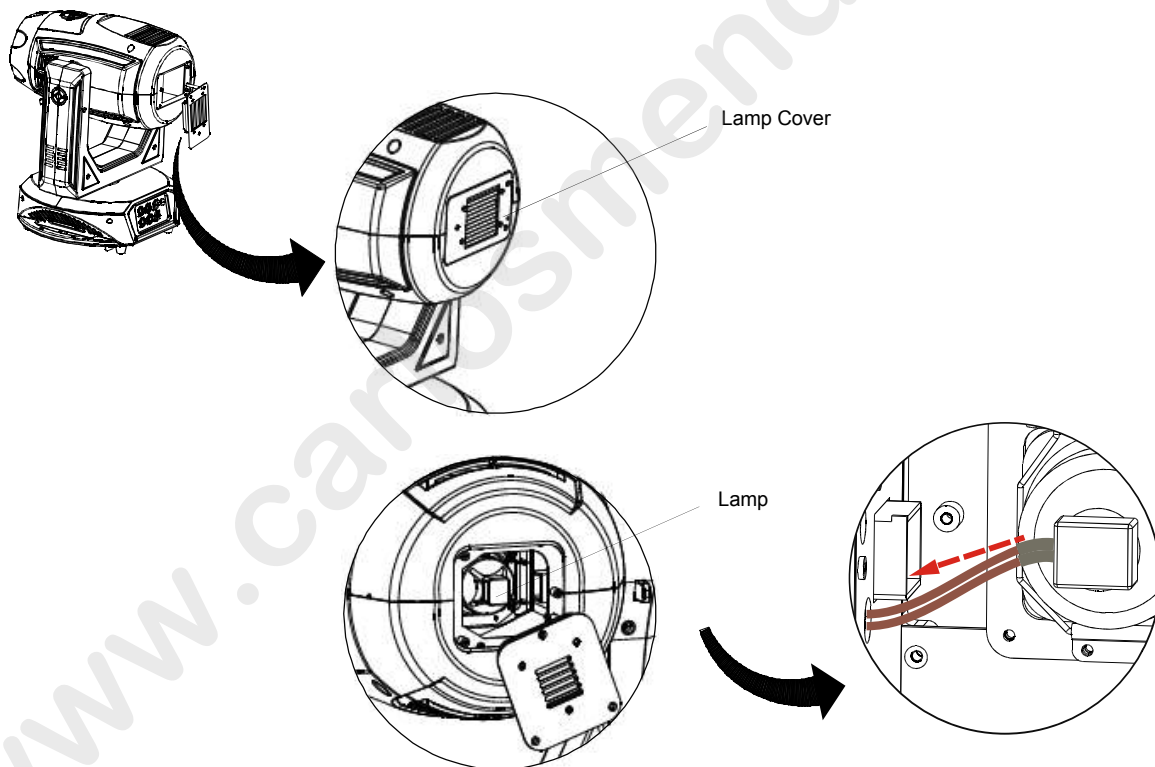


Figure 5: Lamp Cover - Lamp Removal

CAUTION: Use care when handling new lamp, wear lint-free protective gloves. Do not touch lamp assembly with bare fingers. Clean any fingerprints, dirt, grease, etc. from lamp assembly before installing lamp.

- Step 4. Install new lamp, make sure the lamp terminals are orientated pointing towards the cable insert hole.
- Step 5. Reinstall lamp cover.
- Step 6. *Optional* - If desired, reset lamp hours via the menu system. Refer to [“Menu System”](#) on page 6.

Product Specifications

Overview

The SL HYDRUS 350 is a hybrid BEAM/SPOT/WASH moving luminaire designed for special event, television, and concert lighting applications. Powered by the PHILIPS Platinum 17RA Lamp, the luminaire delivers powerful output, great color control and a comprehensive beam effects system in a compact sized luminaire.

Features

Color System

One fixed color wheel with 10 colors and one open slot. Color system allows for split color mode and color scroll effects.

Gobos / Effects

One fixed gobo / beam aperture wheel containing 12 beam effect images.

One indexable / rotating gobo wheel with images from the VARI*LITE Library. Includes a unique colored gobo which is multi layered and has multiple focal layers in its projection.

Animation Wheel

One animation wheel with Fire Breakup effect

Prisms

Two prisms are included with the luminaire. One Four (4) facet linear prism and one eight (8) facet circular prism.

Beam Angles

Beam Mode: 2°-21°

Spot Mode: 2°-25°

Wash Mode: 9°-37°

Lamp Source

350W Philips Platinum 17RA

Power Consumption

500 Watts

Movement

Pan 630° @ 42RPM

Tilt 270° @ 42RPM

Safety distance

Minimum hang distance between fixture centres is 650mm

Weight

Net weight: 23.7 kg / 52.25 lbs

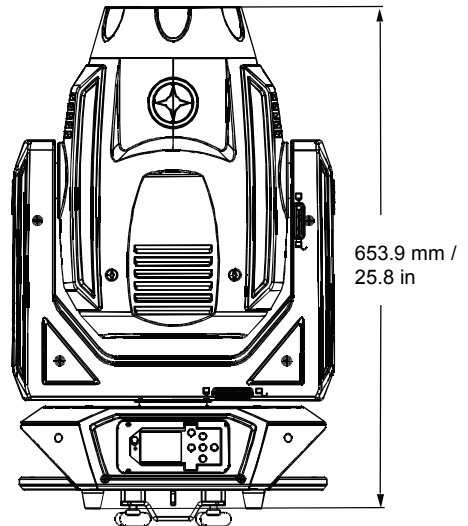
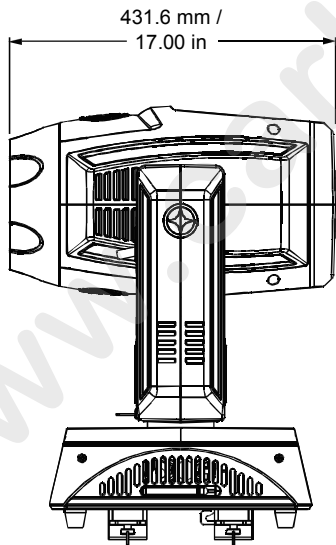
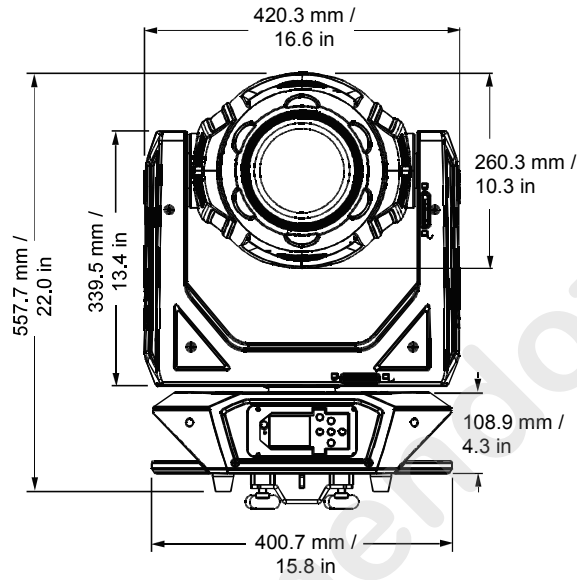
Gross weight: 29.2 kg / 64.37 lbs

AC Power Input

100 to 240 VAC

Note: Information contained herein is subject to change without prior notice. Refer to the current luminaire specification sheet for complete and up-to-date information.

Luminaire Dimensions



TECHNICAL SUPPORT

GLOBAL 24HR TECHNICAL SUPPORT:

Call: +1 214 647 7880

entertainment.service@signify.com

NORTH AMERICA SUPPORT:

Call: 877-VARI-LITE (877-827-4583)

entertainment.service@signify.com

EUROPEAN CUSTOMER SERVICE CENTER:

Call: +31 (0) 543 542 531

entertainment.europe@signify.com

© 2023 Signify Holding. All rights reserved. All trademarks are owned by Signify Holding or their respective owners. The information provided herein is subject to change, without notice. Signify does not give any representation or warranty as to the accuracy or completeness of the information included herein and shall not be liable for any action in reliance thereon. The information presented in this document is not intended as any commercial offer and does not form part of any quotation or contract, unless otherwise agreed by Signify. Data subject to change.